

PART NUMBER:  
**SEE CHART**

PART NUMBER:  
**SEE CHART**

**A**

JOB NUMBER  
NA

**BLUE GIANT EQUIPMENT CORP.**

85 Heart Lake Road South  
Brampton, Ontario, L6W 3K2  
Tel: 905-457-3900  
Fax: 905-457-5586



**PROPRIETARY AND CONFIDENTIAL**

THE INFORMATION CONTAINED IN THIS DRAWING IS THE SOLE PROPERTY OF BLUE GIANT EQUIPMENT CORPORATION. ANY REPRODUCTION IN PART OR AS A WHOLE WITHOUT THE WRITTEN PERMISSION OF BLUE GIANT EQUIPMENT CORPORATION IS PROHIBITED.

DIMENSIONS ARE IN INCHES  
TOLERANCES:  
FRACTIONAL ± 1/32  
ANGULAR: MACH ± .5 BEND ± 2  
ONE PLACE DECIMAL ± 0.015  
TWO PLACE DECIMAL ± 0.010  
THREE PLACE DECIMAL ± 0.005

THIRD ANGLE PROJECTION

DESCRIPTION:  
**SINGLE PUSH BUTTON CONTROL - MOTOR STARTER**

DWG. NO.  
**027-006L**

FOR:

REF.

APPROX. WEIGHT (lb.): **0.291**

SCALE: **1:2.5** SIZE: **B**

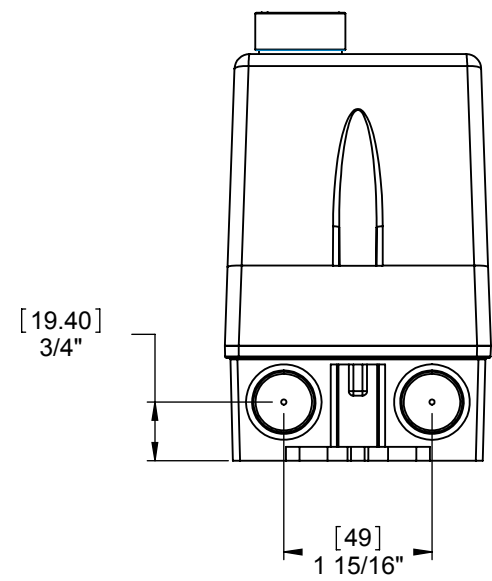
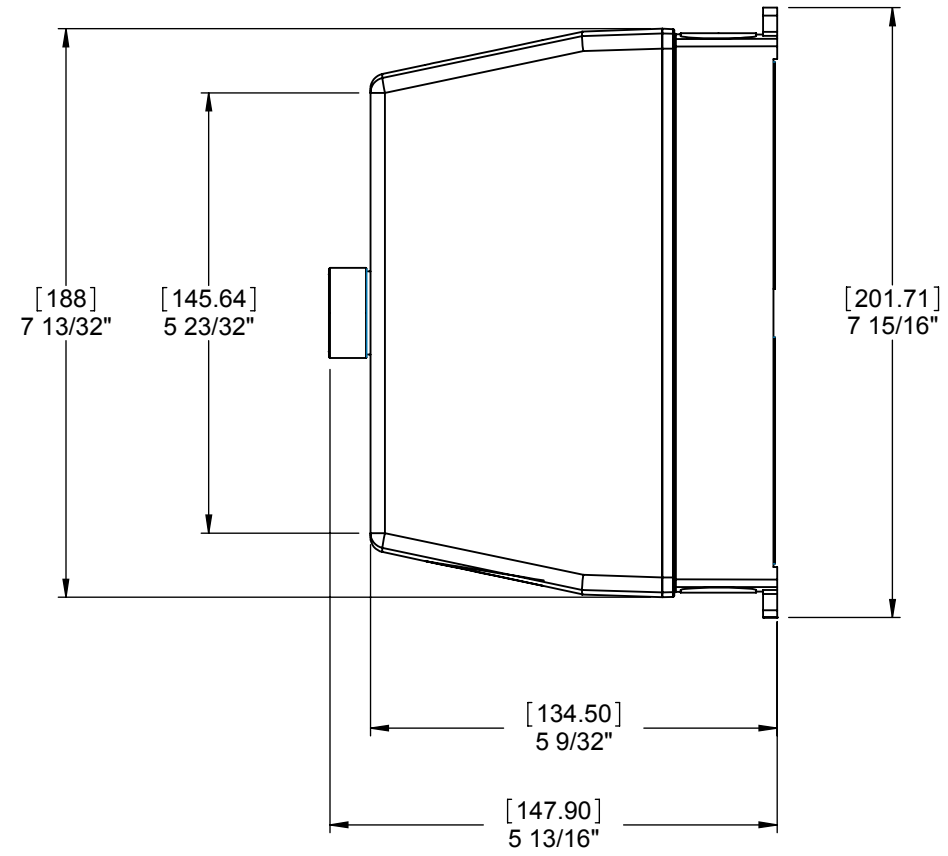
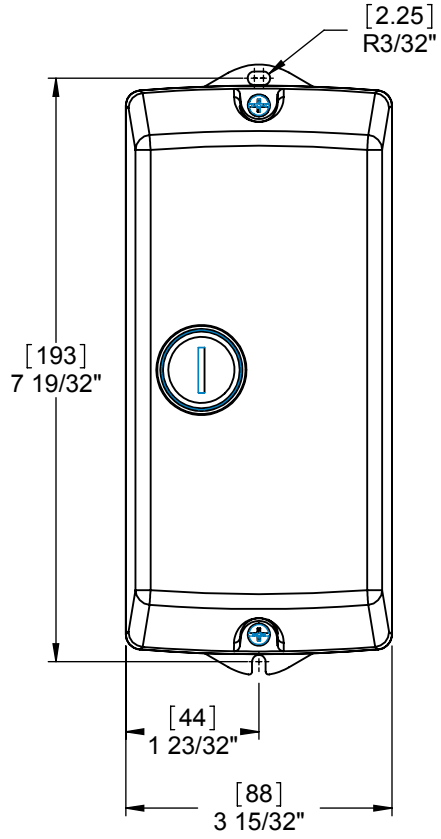
MATERIAL

MATERIAL NO

	NAME	SIGNATURE	DATE
DRAWN			Dec 24, 2009
DESIGN			Dec 24, 2009
ENG APPR.			Dec 24, 2009
MFG APPR.			Dec 24, 2009
Q.A.			Dec 24, 2009

COATING:

FINISH:



PARTNO.	VOLTS	PHASE
027-006-L	110-130V	1PH
027-007-L	208-240V	1PH
027-008-L	208-240V	3PH
027-168-L	380-415V	3PH
027-005-L	440-480V	3PH
027-009-L	575-600V	3PH