

# ***bgn/bgnr Series*** narrow aisle reach stacker

# ***BLUE GIANT®***

When racking operations call for heavier loads and steady use, the BGN Series narrow aisle stacker is the ideal solution, designed to be operator friendly and can be used with minimal training.

The BGNR reach truck is available for applications where pallet widths vary in size and exceed the existing straddle width setting. The 24" heavy duty reach mechanism includes 2° forward and 6° back tilt forks.

## **CAPACITIES**

- BGN/BGNR-30 - 3,000 lb at 24" load center
- BGN-40 - 4,000 lb at 24" load center

## **LIFT HEIGHTS**

- 63 inches
- 118 inches, 130 inches, 150 inches
- 160 inches, 172 inches

## **OPERATION/CONTROLS**

- Ergonomic design with butterfly toward/reverse travel controls
- Large safety reversing button propels truck away from operator and sounds horn if contact with operator is made
- Automatic "dead man" braking with power cut off switch when brake is applied
- Heavy duty motor, gear pump, check and relief valve
- Lifting and lowering functions feature manual lever controls for load feathering capabilities

## **DRIVE SYSTEM**

- Smooth, stepless acceleration and controlled plug braking
- Programmable, high power, high efficiency for energy saving motor and battery operation allows battery efficiency and usage to increase by up to 50%
- Diagnostic test and fault information
- Totally sealed gear reducer / brake system with internal multi-disc brakes in oil bath that virtually eliminates conventional brake safety problems such as adjustments, drum and/or shoe replacement
- All gear and brake components protected from exposure to moisture and dirt, packaging, strapping etc.
- All gears are precision ground helical gears and drive axle mounted on precision tapered roller bearings

## **ELECTRICAL SYSTEM**

- 24 volt
- On/Off key switch
- Fused drive and control circuits
- Series wound high torque maintenance free drive motor, Class H insulation and heavy duty motor contactors with replaceable tips
- Solid state programmable speed controller with solid state throttle mechanism
- Emergency power disconnect button



## **FORKS/CHASSIS**

- Heavy duty nested I-beam design
- Dual leaf style lifting chain with 5:1 safety factors
- 42" long forged forks
- ITA Class II hook type mounting carriage
- 40" high load backrest
- Adjustable straddles to 50" ID with guarded tips to protect wheels

## **WHEELS**

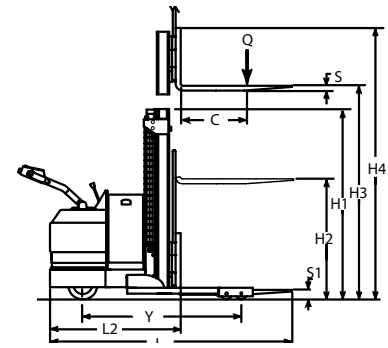
- Press-on 10" x 4" red poly, taper mounted hub design for easy servicing
- Poly straddle wheels 4" x 3" with precision sealed ball bearings

## **OPTIONAL EQUIPMENT**

- Special application tires
- Other fork sizes
- Battery gauges
- U.L EE rating

# Specifications

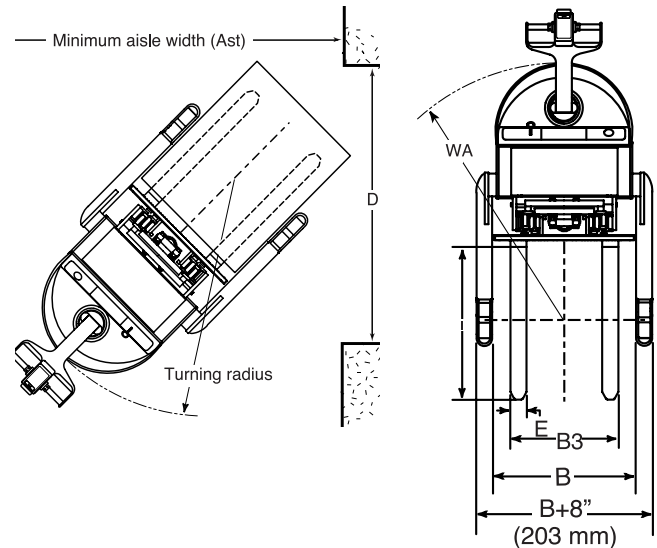
CHARACTERISTICS	Manufacturer	(Abbreviation / Symbol)	BLUE GIANT		
	Model	Manufacturer's designation	BGN-30	BGN-40	
Capacity	Q	Rated capacity	3,000 lb	4,000 lb	
Load center	C	Distance (Refer to charts)	24"		
Power type		Electrical	24 volt		
Control type		Hand, Pedestrian, Ride-On	Hand / Pedestrian		
Tire equipment		Drive end / Load end	Rubber / Poly		
Wheels		Number (x=driven) Drive end/Load end	1 x + 0/4		
Lift	H3	Lift	Refer to charts		
		Lift and fork height	Refer to charts		
	H2	Free lift	Refer to charts		
		Special free lift (optional)	Refer to charts		
Forks	S	Forks lowered	3"		
	l	Length standard	42"		
		Length optional	36" or 48"		
	B3	Fork adjustment (Refer to charts)	14" - 30"		
Overall dimensions	E	Fork width x Thickness	4" x 1.75"		
	L	Length	89.5"		
	L2	Length (to face of forks)	47.5"		
	B	Straddle I.D.	36" - 50" adjustable		
Turning radius		Minimum straddle I.D. setting	36"		
	H1	Lowered mast height	Refer to charts		
	H4	Raised mast height	Refer to charts		
	WA	Refer to charts	67.75"		
90° Stacking aisle	Ast		Next page		
PERFORMANCE	Speeds	Traveling - with load	2.2 mph	2.1 mph	
		Traveling - without load	3.5 mph		
		Lifting - with load	25 fpm	20 fpm	
		Lifting - without load	45 fpm		
		Lowering - with load	43 fpm	26 fpm	
		Lowering - without load	31 fpm		
Grade clearance			1%		
LOAD	Dead weight	Including battery	2,685 lb		
	Axle loading	Loaded - drive end	65%	70%	
Loaded - load end		35%	30%		
CHASSIS	Tires	Quantity - Drive end / Load end	1 / 2		
		Dia. x width - Drive end	10" x 4"		
		Dia. x width - Load end	4" x 3"		
	Wheel base	Y	Distance between wheels	59.2"	
	Ground clearance		Bumper to floor / @ straddle	4.12" / 1"	
	Track		Center of tires	40" - 54"	
POWER / DRIVE UNIT	Service brake		Mechanical		
	Parking brake		Automatic		
DOWNRATING	Capacity	Battery	Type	Wet	
			Voltage / Max AH	24 / 510	
			Battery compartment L x W x H	13.25" x 32" x Open	
		Electric motors	Drive motor	1 hp	
	Lift motor	6.93 hp			
	Drive control	Type	Solid state		
	Transmission	Stages forward / reverse	Variable		
		Type	Geared		
DOWNRATING	Capacity	Lift	BGN-30	BGN-40	BGNR-30
		130"	-	-	2,500 lb
		150"	-	-	2,300 lb
		160"	-	3,000 lb	2,200 lb
		172"	2,700 lb	2,700 lb	2,000 lb



MAST SPECIFICATIONS

MODEL	LIFT	FREE LIFT	STAGES	LOWERED MAST HEIGHT	RAISED MAST HEIGHT
	H3	H2		H1	H4
BGN-30/40	63"	63"	1	78"	83"
BGN-30/40	118"	8"	2	78"	138"
BGN-30/40	130"	8"	2	83"	150"
BGN-30/40	130FF"	*43"	2	83"	150"
BGN-30/40	150"	28"	2	93"	170"
BGN-30/40	160"	4"	3	78"	180"
BGN-30/40	172FF"	*39"	3	83"	192"

\*Free lift including load backrest; increases to 68" with backrest removed.  
NOTE: Model BGNR available with same masts except 3000 lb capacity only.



RIGHT ANGLE STACKING Minimum Aisle Width

MODEL	PALLET LENGTH	PALLET WIDTH	DIM. D	MINIMUM AISLE WIDTH (AST)
Stacker	48"	40"	50"	90"
Reach	48"	40"	50"	93"
Stacker	48"	48"	58"	90"
Reach	48"	48"	58"	93"

\* For ease of operation, an extra 8" should be added to the "Ast" aisle dimensions above.



85 Heart Lake Road South  
Brampton, Ontario, Canada L6W 3K2  
Phone: 905-457-3900 • Fax: 905-457-2313  
www.BlueGiant.com

AUTHORIZED DISTRIBUTOR

## BLUE GIANT EQUIPMENT CORPORATION

BLUE GIANT offers a full line of Loading Dock Equipment including Dock Levelers, Vehicle Restraints, Dock Seals and Shelters and Material Handling Solutions. Concurrent with our continuing product improvement program, specifications are subject to change without notice. Please contact BLUE GIANT for latest information. Some features illustrated may be optional in certain market areas.