

HVLS Fan Survey



DATE: _____

SITE DATA

COMPANY:	NAME:	ADDRESS:
COUNTRY:	CITY:	STATE/ PROVINCE:
CONTACT:	CONTACT'S EMAIL:	NUMBER OF POSITIONS:
YEAR BUILT:	BUILDING USE AND/OR FUNCTION:	

REPORTER DATA

NAME:	EMAIL:	COMPANY:
-------	--------	----------

DIRECTIONS

1. Please complete all questions applicable to the installation configuration. Failure to supply required information may result in a delay in your order processing. Survey information must reflect site conditions at the time of installation
2. For multiple positions / bays: If site conditions are not identical for each position, please fill out a separate survey form.
3. To ensure accurate order processing, please use decimals instead of fractions when supplying dimensions and other measurements (for example 1/2" should be .50")
4. Use either imperial (e.g. lb, in) or metric (e.g. kg, mm) units of measurement consistently throughout the document.

NOTES

General Information

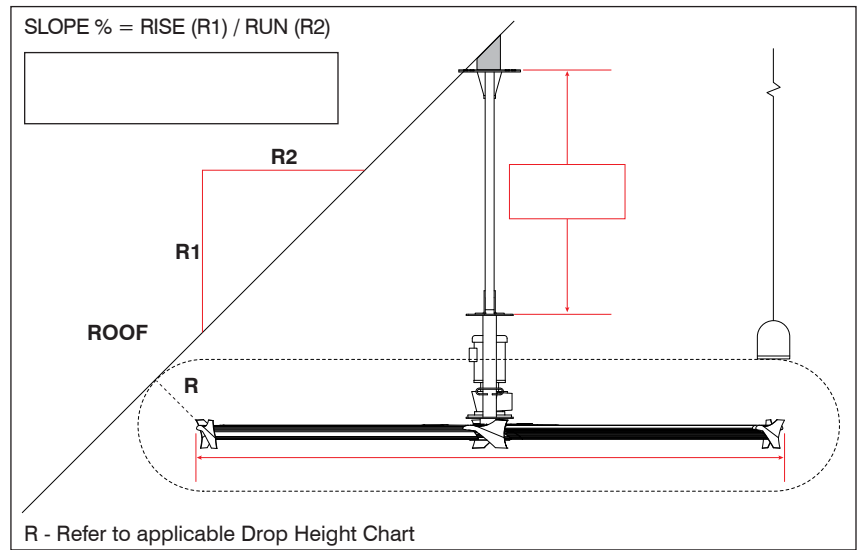
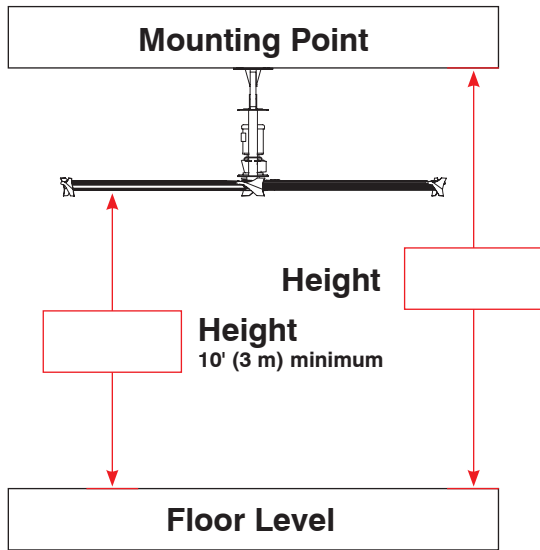
CURRENT FAN CONFIGURATION

NUMBER OF FANS / BLADES PER	HORSEPOWER	MANUFACTURER / MODEL	ANNUAL ENERGY COSTS
-----------------------------	------------	----------------------	---------------------

PURPOSE OF FANS

- COOLING (IDEAL SOLUTION FOR HUMIDITY ISSUES)
 WARMING (IDEAL SOLUTION FOR ENERGY SAVINGS)

Mounting Information



AREA MEASUREMENTS (ATTACH SITE LAYOUT)

LENGTH:	WIDTH:	HEIGHT:
---------	--------	---------

New Fan Specifications

NUMBER OF BLADES

- 3
 6

DIAMETER

- 6' (1.8 m)
 8' (2.4 m)
 10' (3.0 m)
 12' (3.6 m)
 14' (4.3 m)
- 16' (4.9 m)
 18' (5.5 m)
 20' (6.1 m)
 24' (7.3 m)

VOLTAGE

- 115V (99 - 126 VAC) / 1 PHASE / 48 - 62Hz
 240V (198 - 264 VAC) / 1 PHASE / 48 - 62Hz
 240V (198 - 264 VAC) / 3 PHASE / 48 - 62Hz
- 480V (342 - 528 VAC) / 3 PHASE / 48 - 62Hz
 575V (450 - 660 VAC) / 3 PHASE / 48 - 62Hz

Control Configuration

CONTROLS

- SINGLE (1:1)
 MULTIPLE